

CC760 Single Stage Axial Fan

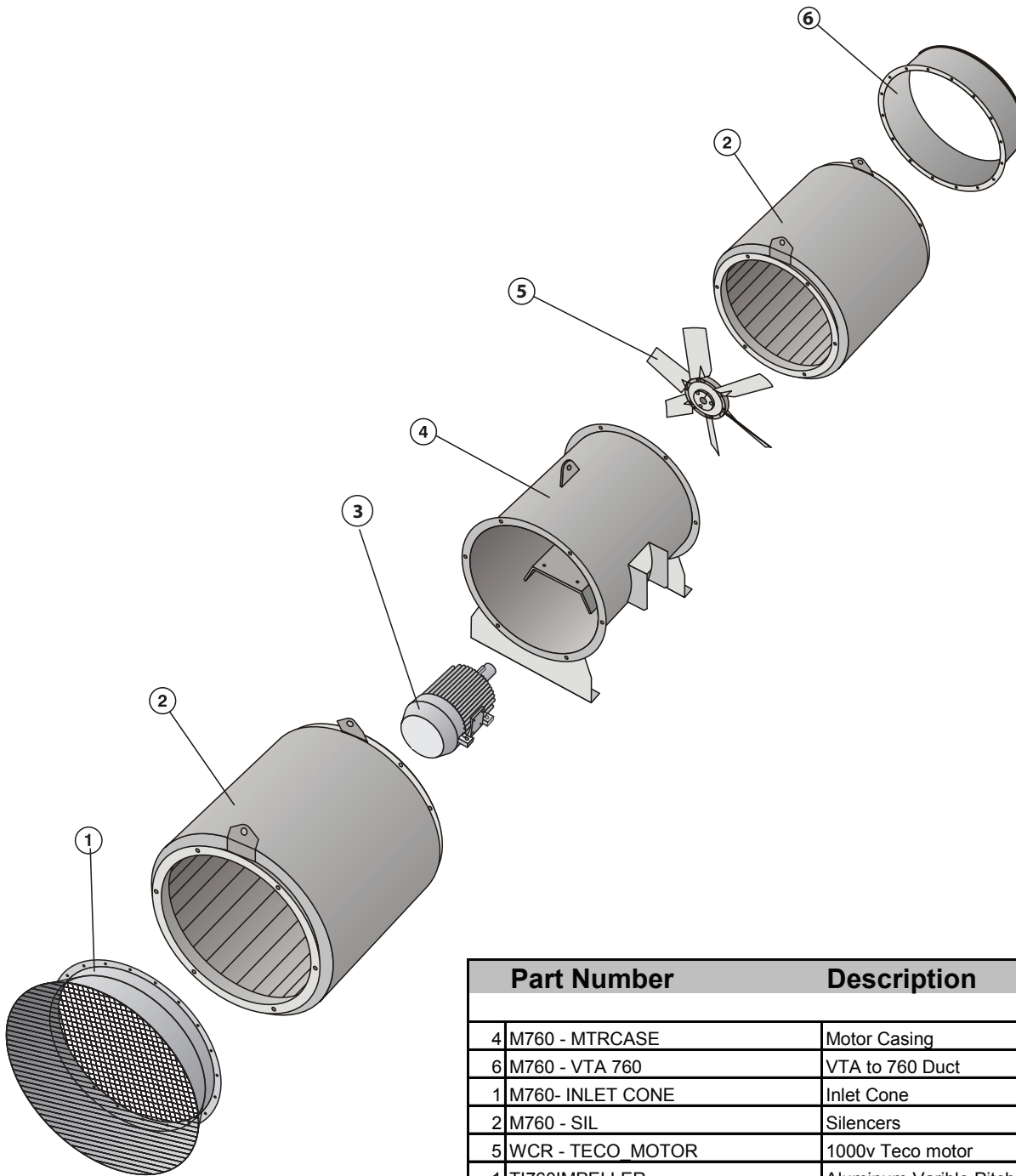
Exploded Layout Diagram



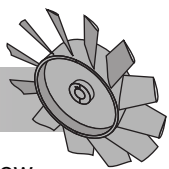
63 Christable Way
Landsdale 6065
Western Australia
Tel: +61 8 9249 9022
Fax: +61 8 9249 9126

website: www.clemcorp.com.au
email: sales@clemcorp.com.au
ABN: 54 115 959 683

- 1 x 37 kW , 30kW, 22kW, 18.5kW, 15kW
- Aluminium multi- piece impeller
- 763mm Diameter Casing



Part Number	Description
4	M760 - MTRCASE Motor Casing
6	M760 - VTA 760 VTA to 760 Duct
1	M760- INLET CONE Inlet Cone
2	M760 - SIL Silencers
5	WCR - TECO MOTOR 1000v Teco motor
1	TI760IMPELLER Aluminum Variable Pitch Impeller



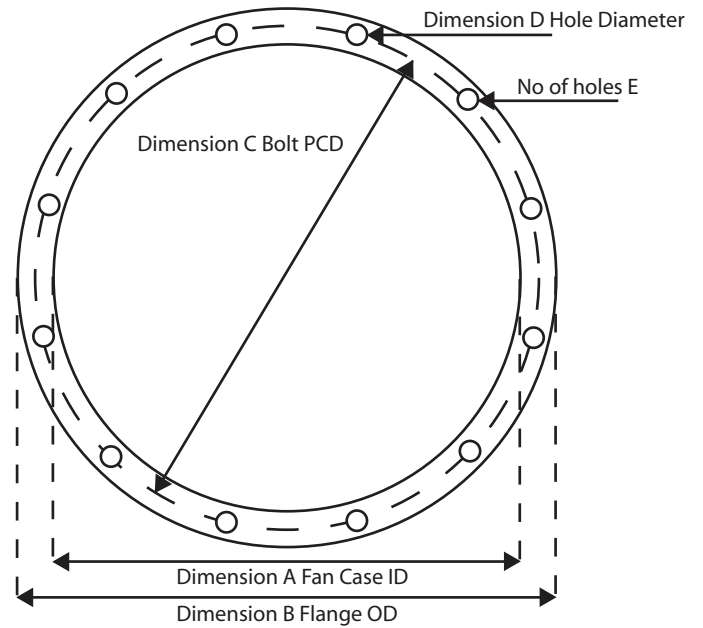
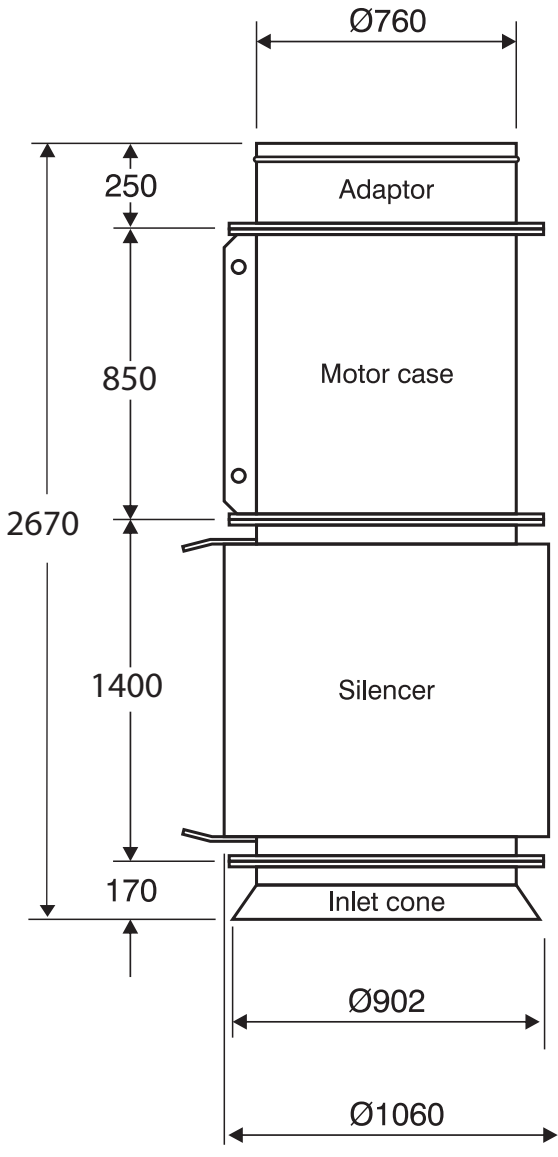
CC760 Single Stage Axial Fan General Arrangement Layout Diagram



63 Christable Way
Landsdale 6065
Western Australia
Tel: +61 8 9249 9022
Fax: +61 8 9249 9126

website: www.clemcorp.com.au
email: sales@clemcorp.com.au
ABN: 54 115 959 683

- 1 x 37 kW , 30kW, 22kW, 18.5kW, 15kW
- Aluminium multi- piece impeller
- 763mm Diameter Casing



Fan Type	A' Case ID	B' Flange OD	C' Hole P.C.D	D' Hole Diameter	E' No of Holes
CC760	763	855	813	14mm	12
Approximate Weights					
Fan - 37kW			485		
Fan - 30kW			485		
Fan - 22kW			404		
Fan - 18.5kW			354		
Fan - 15kW			334		
Silencer			120		

