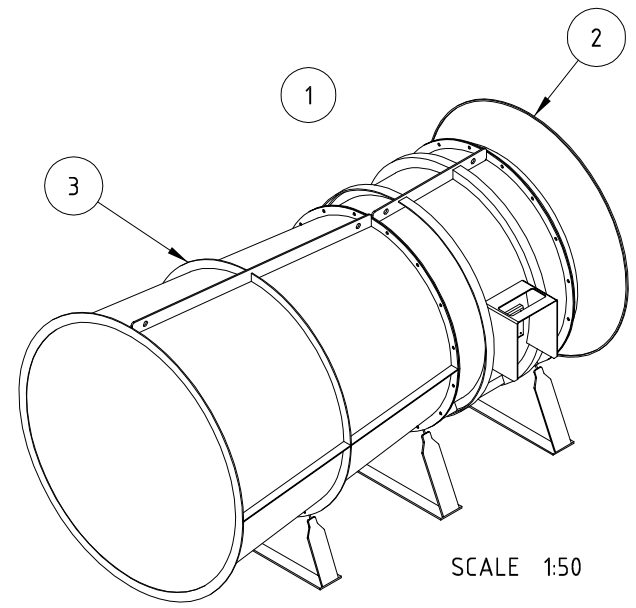


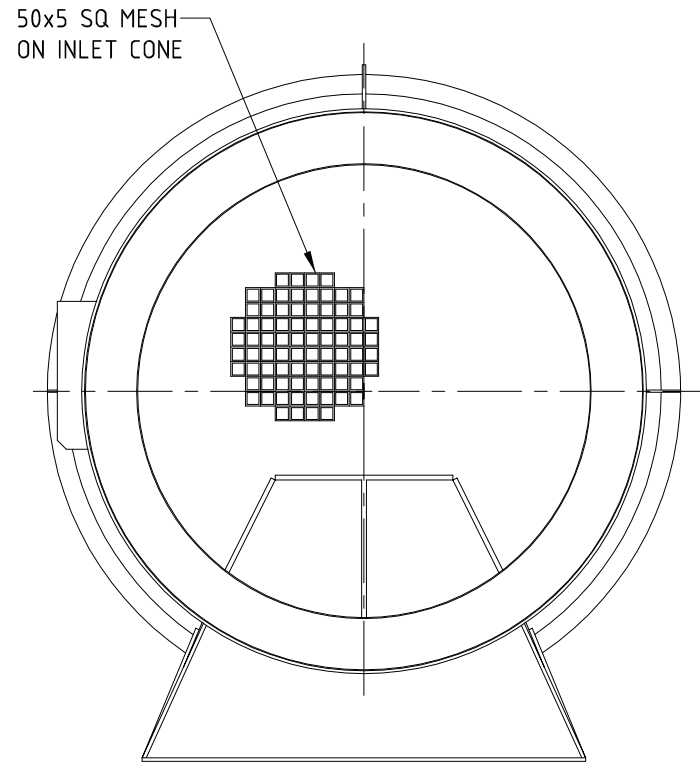
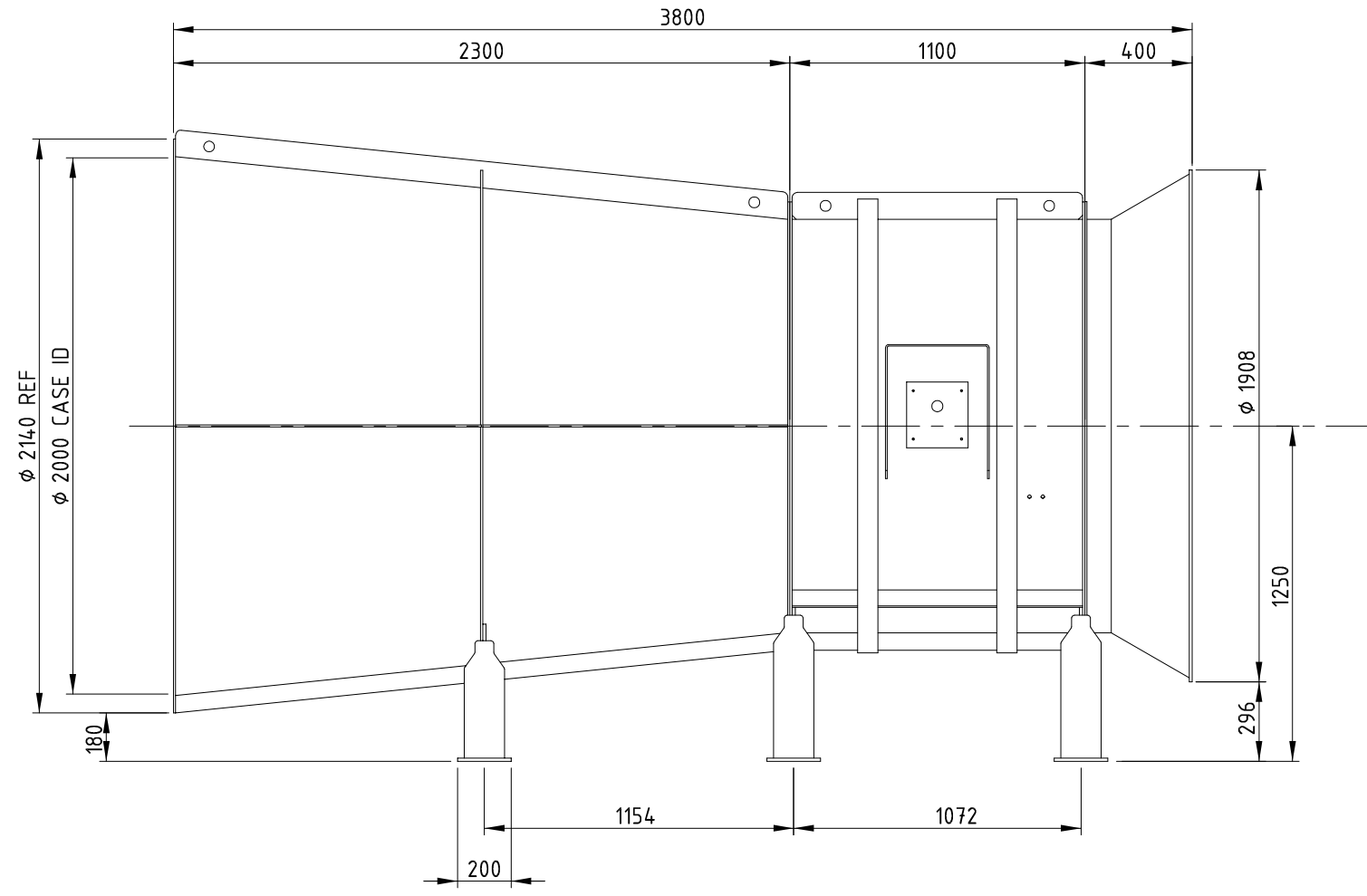
DO NOT SCALE THIS DRAWING - IF IN DOUBT ASK.



SCALE 1:50

### PARTS LIST

PART NO	ITEM	QTY	DESCRIPTION	MATERIAL	MASS (EA)
1524-002	1	1	CC1524 AXIAL FAN CASING- 90kW	AS3678-250 STEEL	599
1524-004	2	1	CC1524 INLET CONE	AS3678-250 STEEL	80
1524-104	3	1	OUTLET ADAPTER WELDED AS- CC1524 FAN	AS3678-250 MILD STEEL	624
1524-120	4	2	MOUNTING FOOT- CC1524 FAN C/W BRACING	AS3678-250 MILD STEEL	103
1524-121	5	1	MOUNTING FOOT- ADAPTER- CC1524 FAN C/W BRACING	AS3678-250 MILD STEEL	89
TOTAL MASS (EST.) (kg)				(INC MOTOR & IMPELLER)	2209



<b>COPYRIGHT</b> PROJECTION:  This drawing including the principles of design is the property of and is submitted by CLEMFCORP (WA) Pty Ltd with the agreement that it is not to be reproduced, copied or loaned in part or whole without the written consent of CLEMFCORP (WA) Pty Ltd. Acceptance of this drawing will be construed as an agreement to the above. TOLERANCE: X" ± 0.5" 0-1000 mm ± 1 1000 mm ± 2 MASS: SURFACE AREA: VOLUME: 6059 m <sup>2</sup> 0.204 m <sup>3</sup>		 CLEMFCORP (WA) Pty Ltd trading as <b>Clemcorp Australia</b> ABN: 54 115 959 683 PO BOX 2318 Malaga 6090 Western Australia Ph: (08) 9249 9022 Fax: (08) 9249 9126	
MATERIAL: DATE: 22-03-07 DESCRIPTION: MTG FEET DETAIL CHANGED REV: 1 BY: LM DATE: 02-11-06 DESCRIPTION: ISSUED FOR MANUFACTURE REV: 0 BY: LM		Drawing: LM Date: 02-11-06 Drawing Number: 1524-100 Rev: 1 Scale: NTS SHEET 1 OF 1	