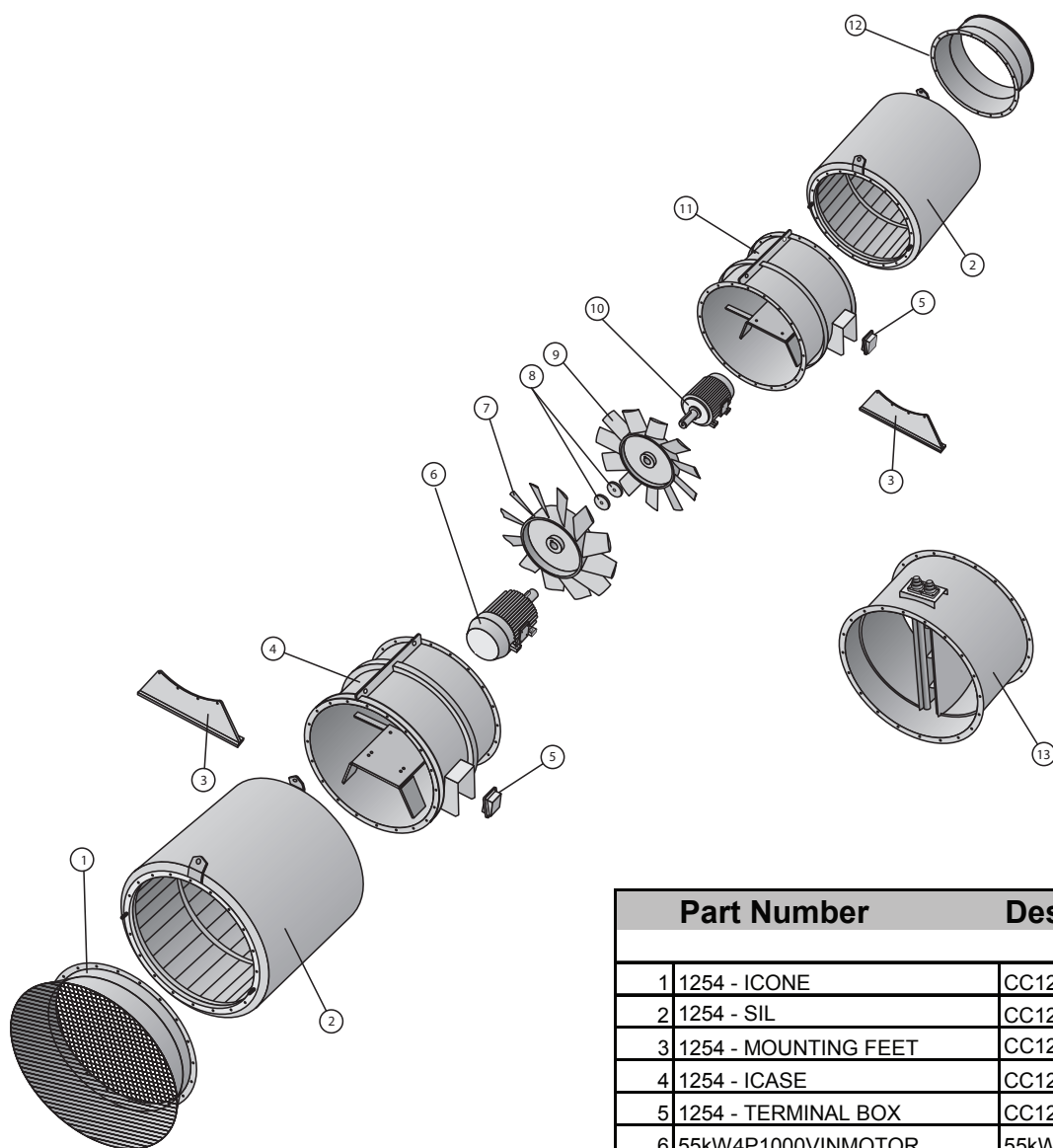


CC1254 Twin Stage Axial Fan Exploded Layout Diagram

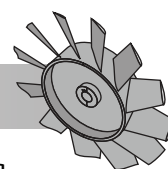


63 Christable Way
Landsdale 6065
Western Australia
Tel: +61 8 9249 9022
Fax: +61 8 9249 9126
website: www.clemcorp.com.au
email: sales@clemcorp.com.au
ABN: 54 115 959 683

- 2 x 55kW
- Fully Cast One - Piece Aluminium Alloy Impellers
- 1260mm Diameter Casing



Part Number	Description
1	1254 - ICONES CC1254 Meshed Inlet Cone
2	1254 - SIL CC1254 Silencer
3	1254 - MOUNTING FEET CC1254 Mounting Feet
4	1254 - ICASE CC1254 Inlet Case
5	1254 - TERMINAL BOX CC1254 Terminal Box
6	55kW4P1000VINMOTOR 55kW 1000v Teco Motor RHS
7	1254 - CASTINLETIMPELLER CC1254 MK3 Cast Inlet Impeller
8	1254 - KEEPERPLATES CC1254 Keeperplates
9	1254 - OUTLET IMPELLER CC1254 MK3 Cast Outlet Impeller
10	55kW4P1000VOUTMOTOR 55kW 1000v Teco Motor LHS
11	1254 - OCASE CC1254 Outlet Case
12	1254 - VTA1200 CC1254 VTA to 1200 Duct
13	1254 - SCD CC1254 Self Closing Door



CC1254 Twin Stage Axial Fan

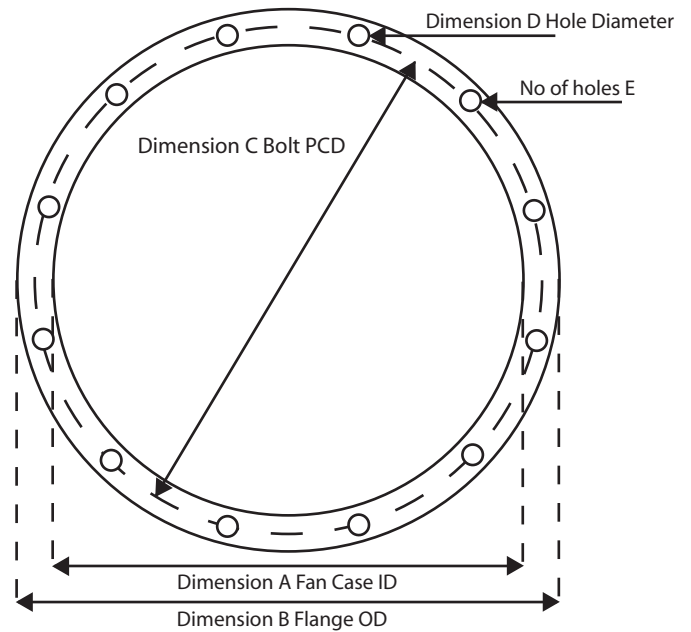
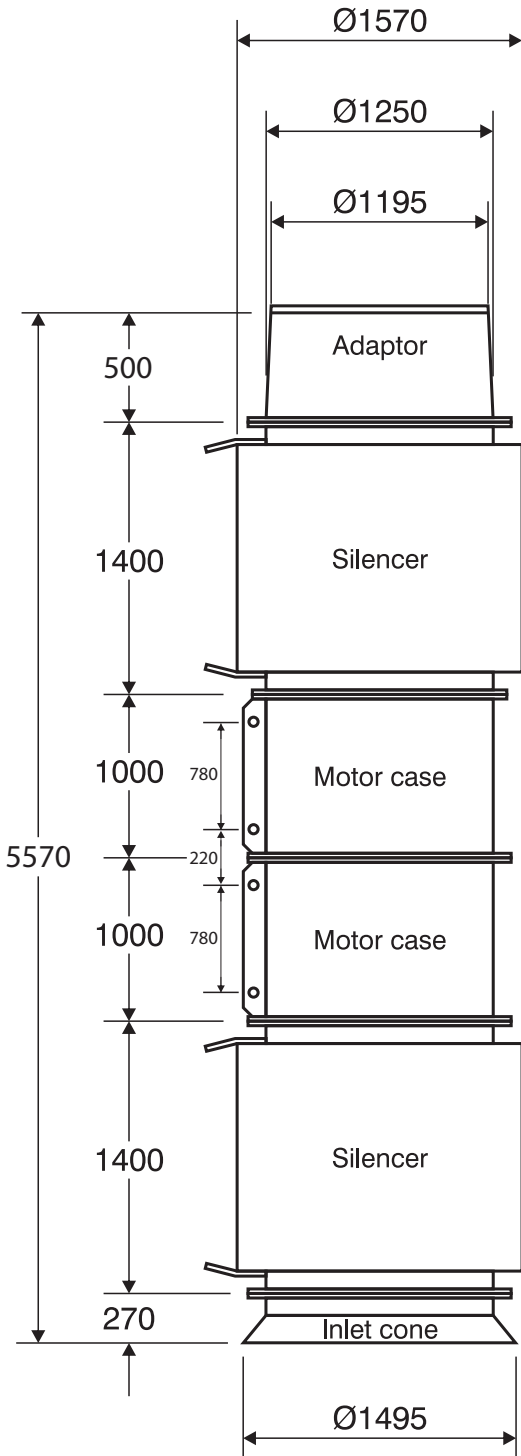
General Arrangement Layout Diagram



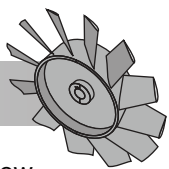
63 Christable Way
Landsdale 6065
Western Australia
Tel: +61 8 9249 9022
Fax: +61 8 9249 9126

website: www.clemcorp.com.au
email: sales@clemcorp.com.au
ABN: 54 115 959 683

- 2 x 55kW
- Fully Cast One - Piece Aluminium Alloy Impellers
- 1260mm Diameter Casing



Fan Type	A' Case ID	B' Flange OD	C' Hole P.C.D	D' Hole Diameter	E' No of Holes
CC1254	1260	1370	1320	18mm	20
Approximate Weights					
			Fan	1880	
			Silencers	460	
			Total	2340	



Go with the flow....

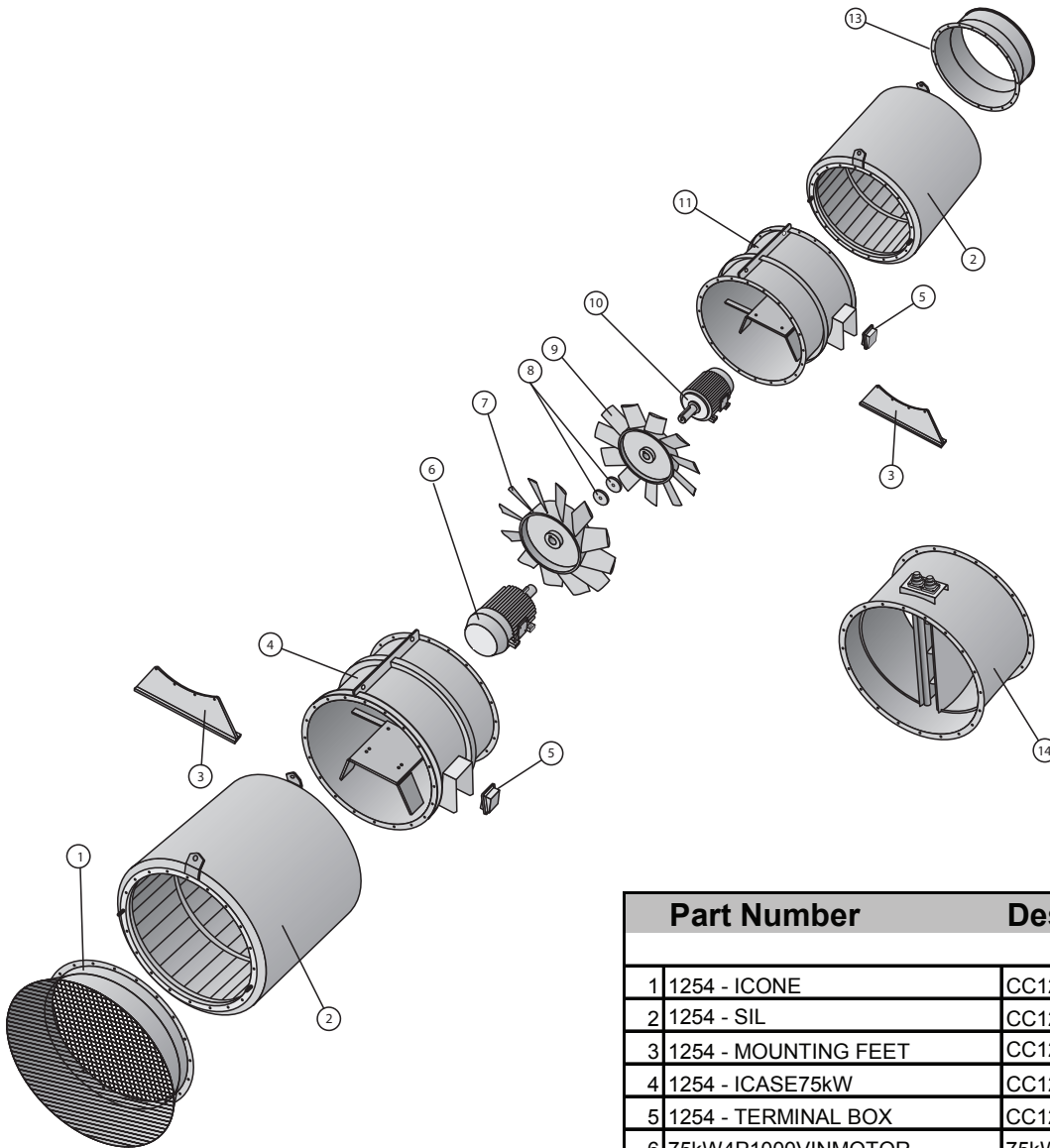
CC1254 Twin Stage Axial Fan Exploded Layout Diagram



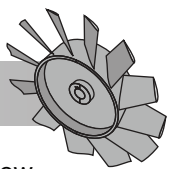
63 Christable Way
Landsdale 6065
Western Australia
Tel: +61 8 9249 9022
Fax: +61 8 9249 9126

website: www.clemcorp.com.au
email: sales@clemcorp.com.au
ABN: 54 115 959 683

- 2 x75kW
- Fabricated Hub with Bolt on Aluminium Blades
- 1260mm Diameter Casing



Part Number	Description
1	1254 - ICONE CC1254 Meshed Inlet Cone
2	1254 - SIL CC1254 Silencer
3	1254 - MOUNTING FEET CC1254 Mounting Feet
4	1254 - ICASE75kW CC1254 Inlet Case 75kW
5	1254 - TERMINAL BOX CC1254 Terminal Box
6	75kW4P1000VINMOTOR 75kW 1000v Teco Motor RHS
7	1254 - 75kwINLETIMPELLER CC1254 75kW Inlet Impeller
8	1254 - KEEPERPLATES CC1254 Keeperplates
9	1254 - 75kwOUTLETIMPELLER CC1254 75kW Outet Impeller
10	75kW4P1000VOUTMOTOR 75kW 1000v Teco Motor LHS
11	1254 - OCASE75kW CC1254 Outlet Case 75kW
12	1254 - VTA1200 CC1254 VTA to 1200 Duct
13	1254 - SCD CC1254 Self Closing Door



CC1254 Twin Stage Axial Fan

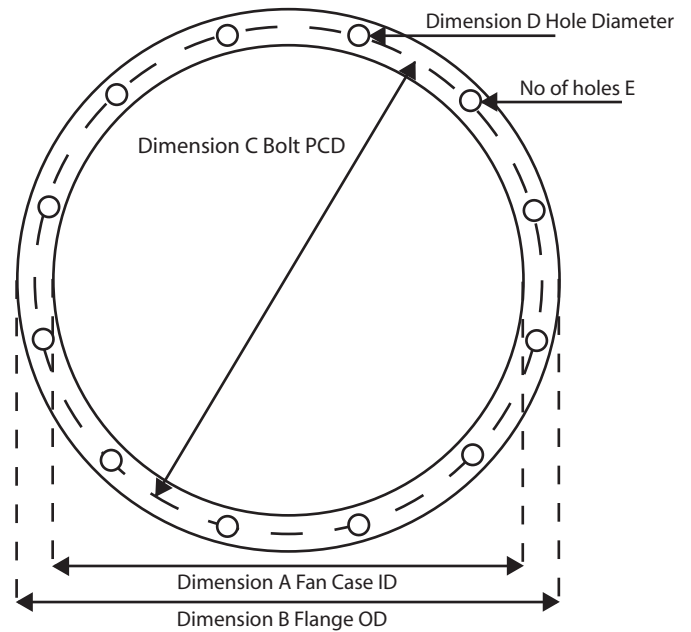
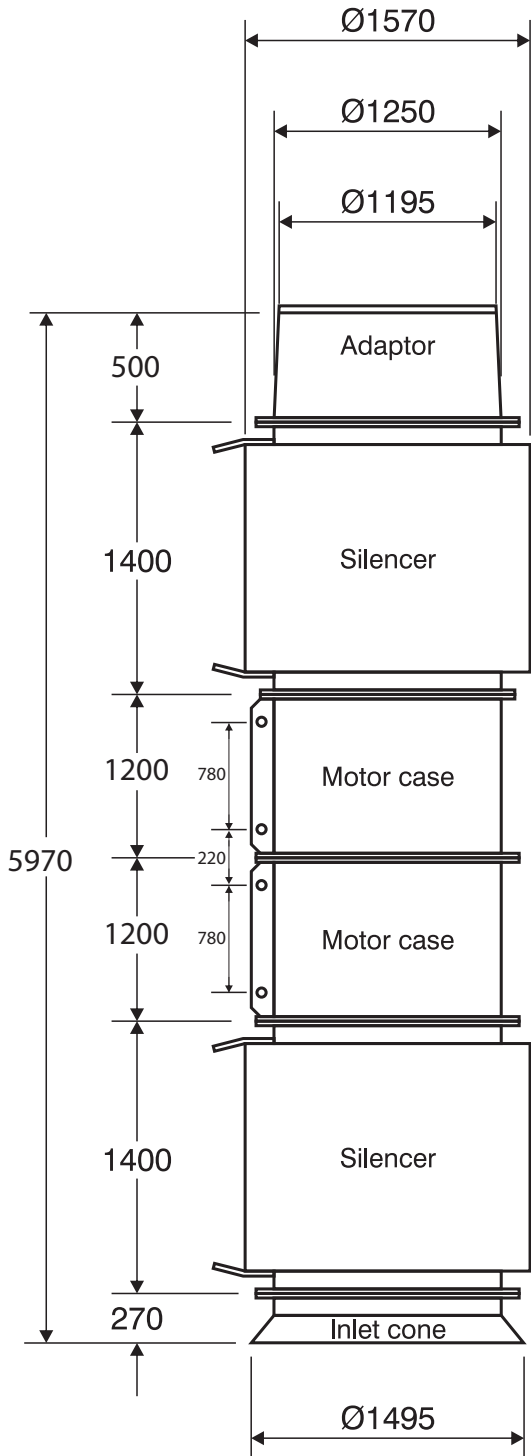
General Arrangement Layout Diagram



63 Christable Way
Landsdale 6065
Western Australia
Tel: +61 8 9249 9022
Fax: +61 8 9249 9126

website: www.clemcorp.com.au
email: sales@clemcorp.com.au
ABN: 54 115 959 683

- 2 x 75kW
- Fabricated Steel Hub with bolt on Aluminium Blades
- 1260mm Diameter Casing



Fan Type	A' Case ID	B' Flange OD	C' Hole P.C.D	D' Hole Diameter	E' No of Holes
CC1254	1260	1370	1320	18mm	20
Approximate Weights					
			Fan	2240	
			Silencers	460	
			Total	2700	

