

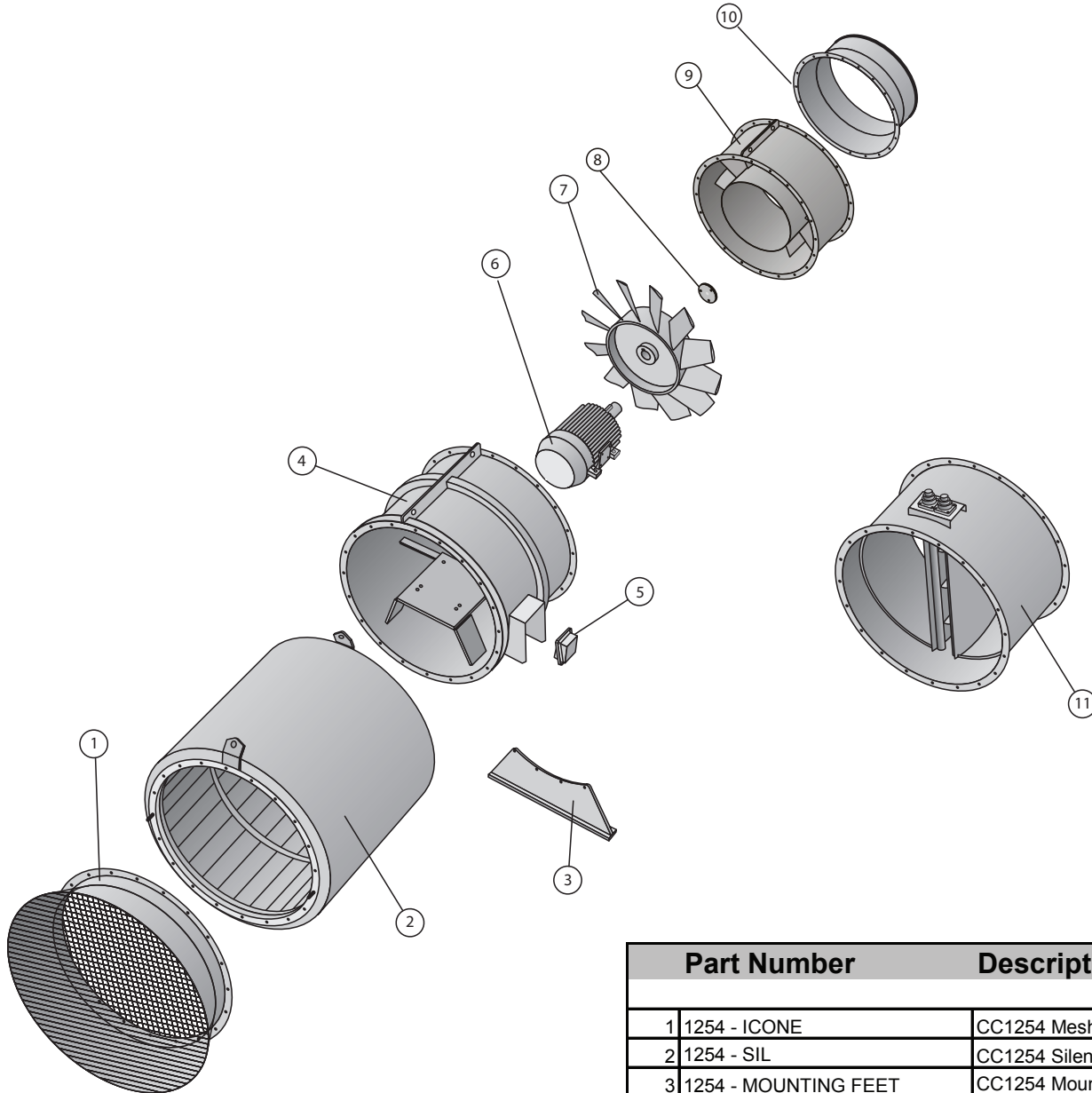
CC1254 Single Stage Inlet Axial Fan Exploded Layout Diagram



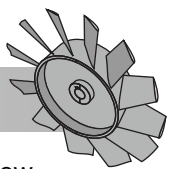
63 Christable Way
Landsdale 6065
Western Australia
Tel: +61 8 9249 9022
Fax: +61 8 9249 9126

website: www.clemcorp.com.au
email: sales@clemcorp.com.au
ABN: 54 115 959 683

- 1 x 55kW
- Fully Cast One - Piece Aluminium Alloy Impeller
- 1260mm Diameter Casing



Part Number	Description	
1	1254 - ICONE	CC1254 Meshed Inlet Cone
2	1254 - SIL	CC1254 Silencer
3	1254 - MOUNTING FEET	CC1254 Mounting Feet
4	1254 - ICASE	CC1254 Inlet Case
5	1254 - TERMINAL BOX	CC1254 Terminal Box
6	55kW4P1000VINMOTOR	55kW 1000v Teco Motor LHS
7	1254 - INLET IMPELLER	CC1254 MK3 Cast Inlet Impeller
8	1254 - KEEPERPLATES	CC1254 Keeperplates
9	1254 - GV1	CC1254 Inlet Guidevane
10	1254 - VTA1200	CC1254 VTA to 1200 Duct
11	1254 - SCD	CC1254 Self Closing Door



Go with the flow....

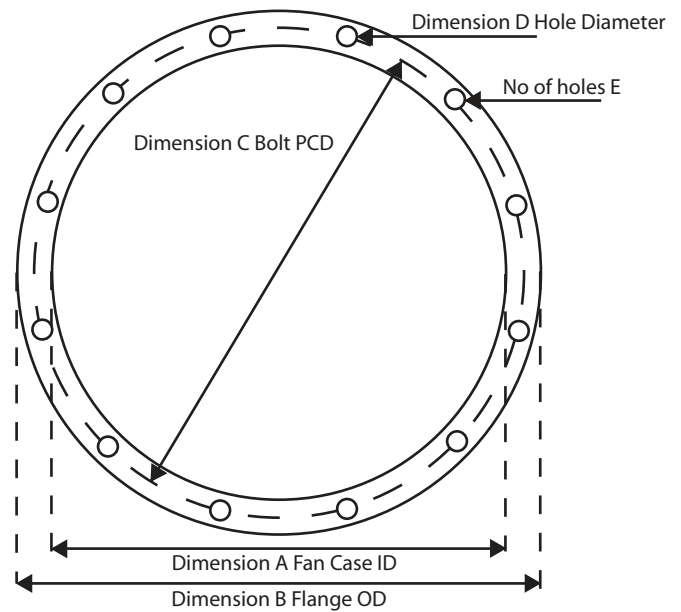
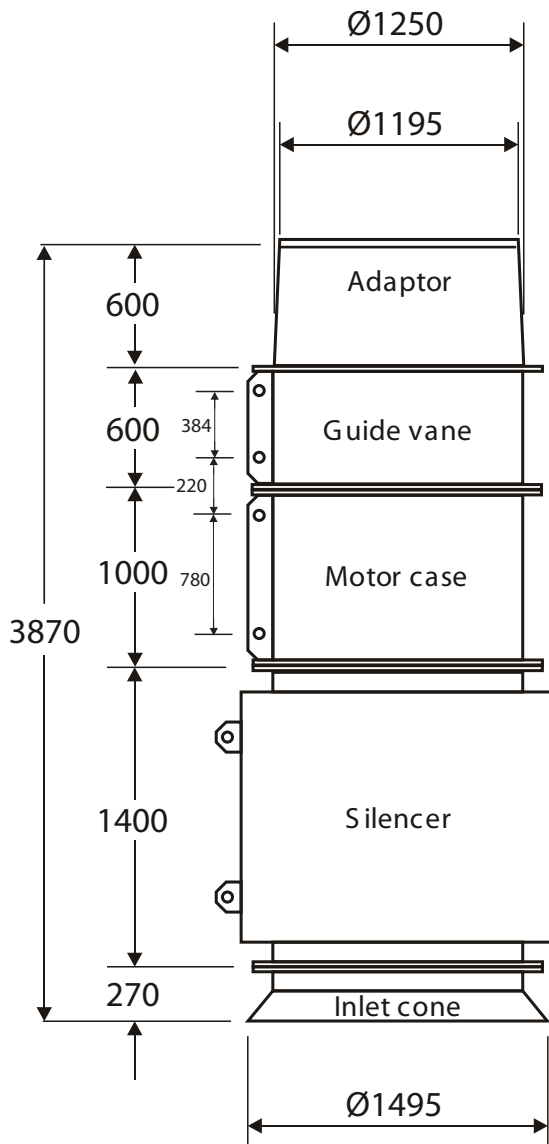
CC1254 Single Stage Inlet Axial Fan

General Arrangement Diagram

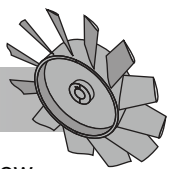


63 Christable Way
Landsdale 6065
Western Australia
Tel: +61 8 9249 9022
Fax: +61 8 9249 9126
website: www.clemcorp.com.au
email: sales@clemcorp.com.au
ABN: 54 115 959 683

- 1 x 55kW
- Fully Cast One - Piece Aluminium Alloy Impeller
- 1260mm Diameter Casing



Fan Type	A' Case ID	B' Flange OD	C' Hole P.C.D	D' Hole Diameter	E' No of Holes
CC1254	1260	1370	1320	18mm	20
Approximate Weights					
Fan				1200	
Silencer				230	
Total				1430	



Go with the flow....

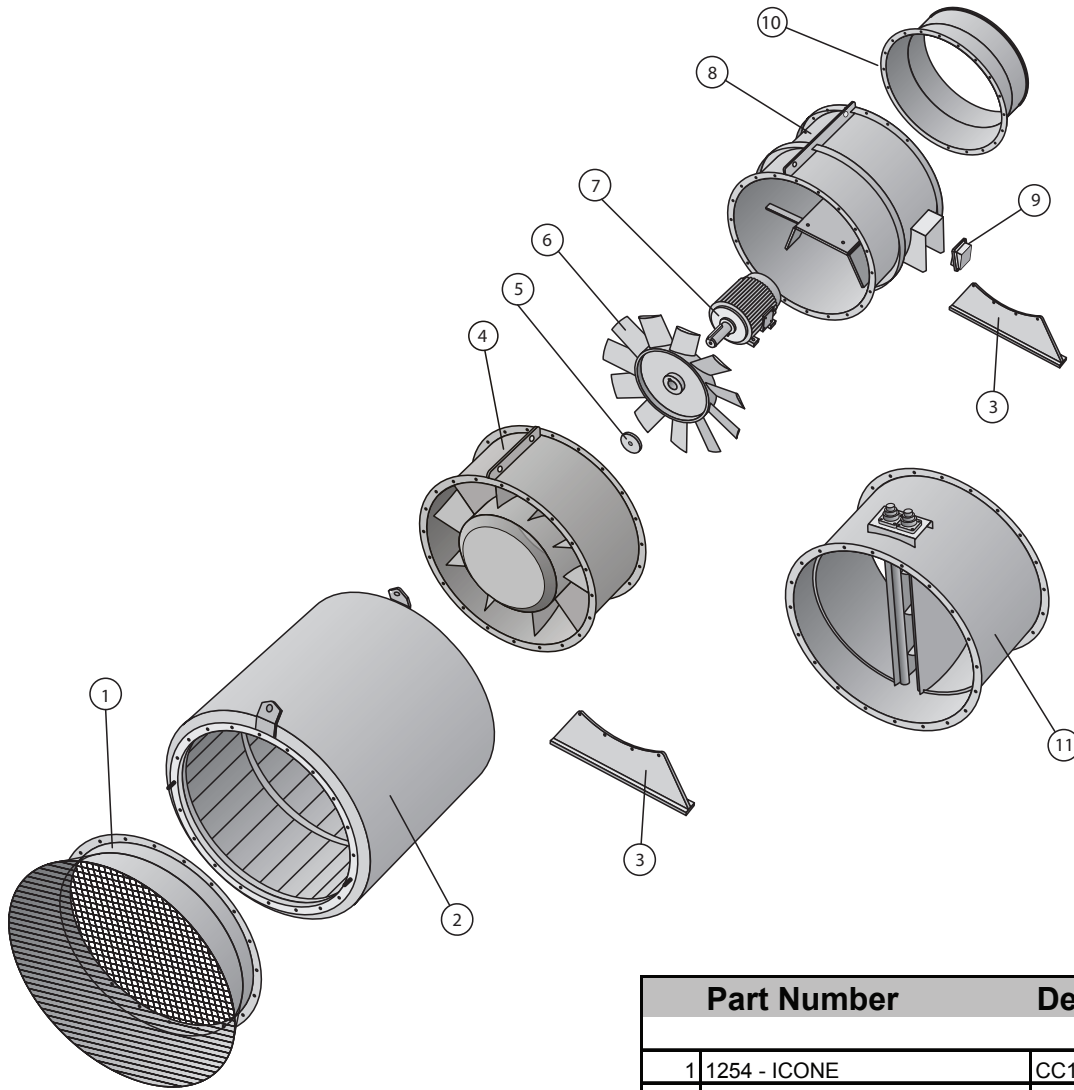
CC1254 Single Stage Outlet Axial Fan Exploded Layout Diagram



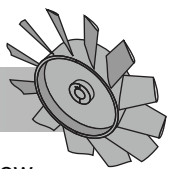
63 Christable Way
Landsdale 6065
Western Australia
Tel: +61 8 9249 9022
Fax: +61 8 9249 9126

website: www.clemcorp.com.au
email: sales@clemcorp.com.au
ABN: 54 115 959 683

- 1 x 55kW
- Fully Cast One - Piece Aluminium Alloy Impeller
- 1260mm Diameter Casing



Part Number	Description	
1	1254 - ICONE	CC1254 Meshed Inlet Cone
2	1254 - SIL	CC1254 Silencer
3	1254 - MOUNTING FEET	CC1254 Mounting Feet
4	1254 - GV2	CC1254 Outlet Guidevane
5	1254 - KEEPERPLATES	CC1254 Keeperplates
6	1254 - OUTLET IMPELLER	CC1254 MK3 Cast Outet Impeller
7	55kW4P1000VOUTMOTOR	55kW 1000v Teco Motor RHS
8	1254 - OCASE	CC1254 Outlet Case
9	1254 - TERMINAL BOX	CC1254 Terminal Box
10	1254 - VTA1200	CC1254 VTA to 1200 Duct
11	1254 - SCD	CC1254 Self Closing Door



CC1254 Single Stage Outlet Axial Fan

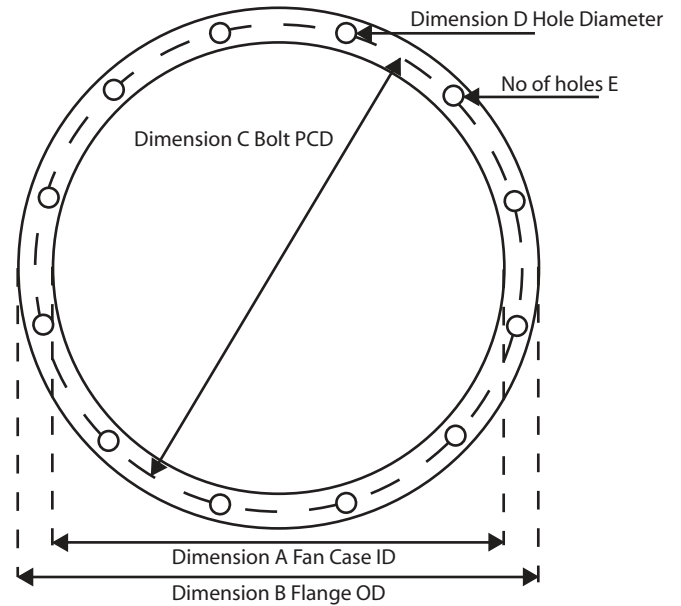
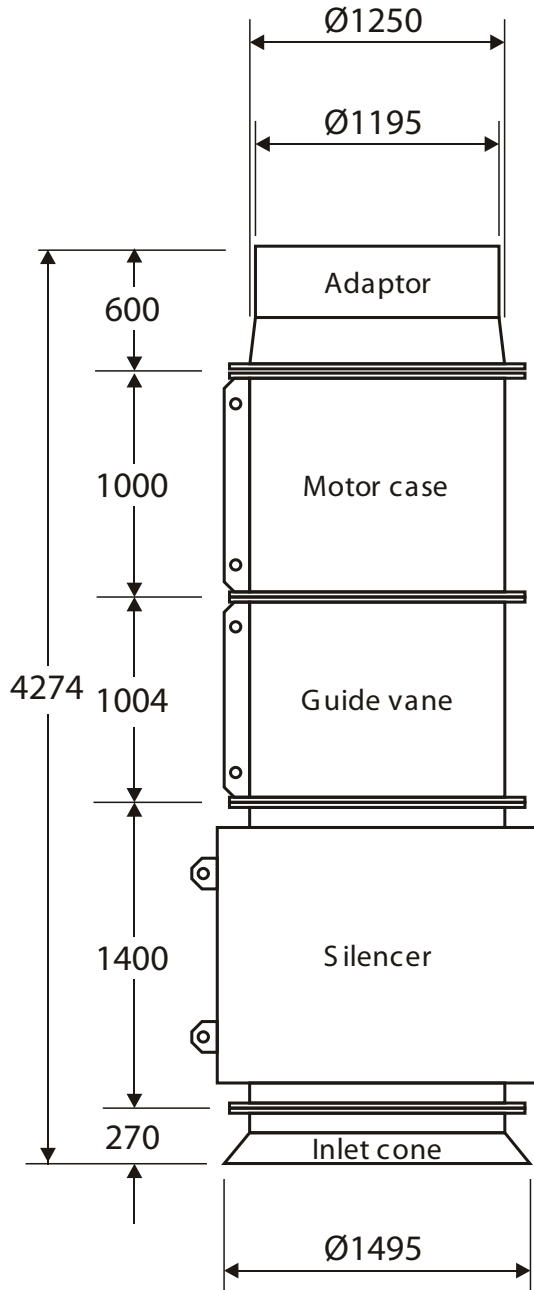
General Arrangement Layout Diagram



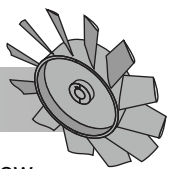
63 Christable Way
Landsdale 6065
Western Australia
Tel: +61 8 9249 9022
Fax: +61 8 9249 9126

website: www.clemcorp.com.au
email: sales@clemcorp.com.au
ABN: 54 115 959 683

- 1 x 55kW
- Fully Cast One - Piece Aluminium Alloy Impeller
- 1260mm Diameter Casing



Fan Type	A' Case ID	B' Flange OD	C' Hole P.C.D	D' Hole Diameter	E' No of Holes
CC1254	1260	1370	1320	18mm	20
Approximate Weights					
			Fan	1290	
			Silencer	230	
			Total	1520	



Go with the flow....