

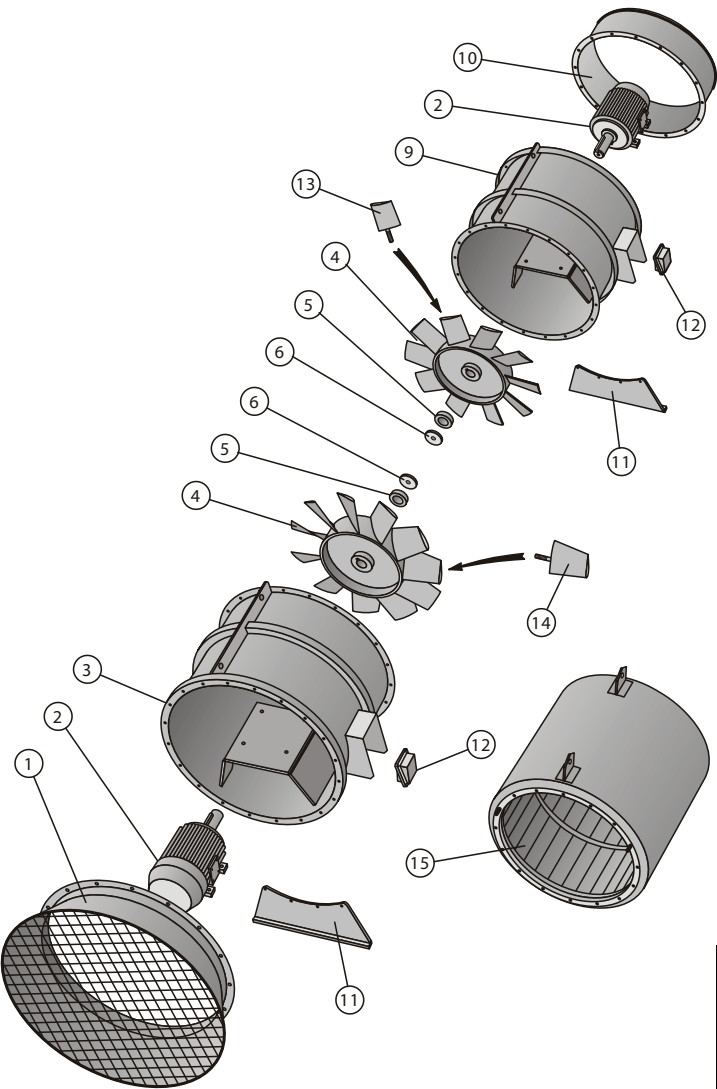
# CC1004 Twin Stage Axial Fan Exploded Layout Diagram



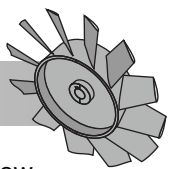
63 Christable Way  
Landsdale 6065  
Western Australia  
Tel: +61 8 9249 9022  
Fax: +61 8 9249 9126

website: [www.clemcorp.com.au](http://www.clemcorp.com.au)  
email: [sales@clemcorp.com.au](mailto:sales@clemcorp.com.au)  
ABN: 54 115 959 683

- 2 x 45kW
- Fully Cast One - Piece Aluminium Hub with Bolt on Blades
- 1005mm Diameter Casing



Part Number	Description
1	J1004 - ICONC Inlet Cone
2	WCR - 45kW4P1000v Teco 1000v 45kW 4 Pole Motor
3	J1004 - ICASE Inlet Case
4	E1004 - 1004 IMPELLERHUB Cast hub with bolt on blades
5	J1004 - ISPACER Impeller Spacer
6	J1004 - HOLDDOWN PLATE Impeller Hold Down Plate
9	J1004 - OCASE Standard Mounting Feet
10	J1004 - VTA1067 VTA to 1067 Duct
11	J1004 - MFSTD Standard Mounting Feet
12	J1004 - TERMINAL BOX Terminal Box
13	E1004-OUTLETBLADE Aluminium Outlet Blade
14	E1004-INLETBLADE Aluminium Inlet Blade
15	J1004 - SIL Silencer



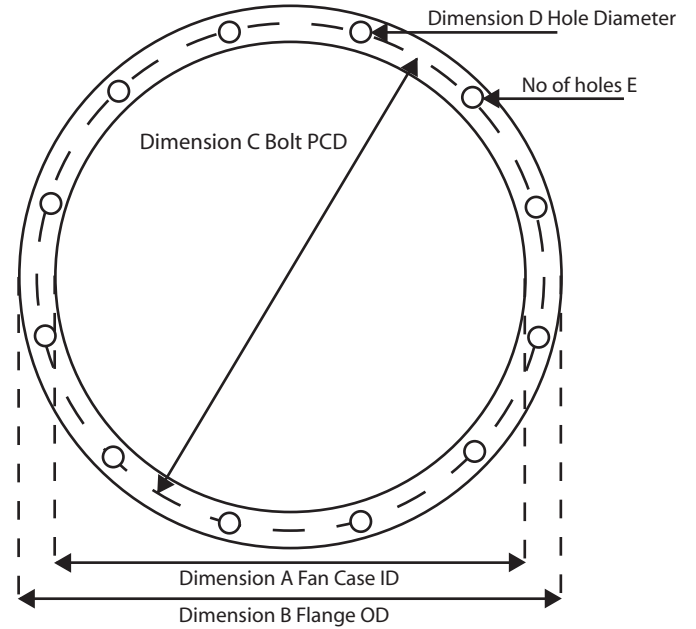
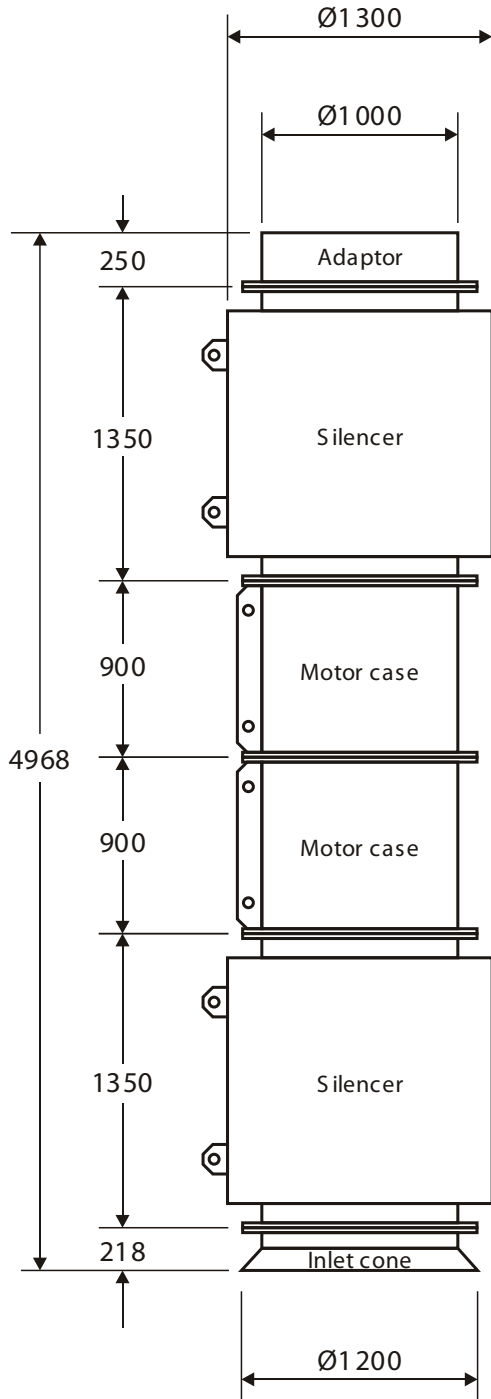
# CC1004 Twin Stage Axial Fan General Arrangement Diagram



63 Christable Way  
Landsdale 6065  
Western Australia  
Tel: +61 8 9249 9022  
Fax: +61 8 9249 9126

website: [www.clemcorp.com.au](http://www.clemcorp.com.au)  
email: [sales@clemcorp.com.au](mailto:sales@clemcorp.com.au)  
ABN: 54 115 959 683

- 2 x 45kW
- Fully Cast One - Piece Aluminium Hub with Bolt on Blades
- 1005mm Diameter Casing



Fan Type	A' Case ID	B' Flange OD	C' Hole P.C.D	D' Hole Diameter	E' No of Holes
CC1004	1005	1093	1047	14	16
<b>Approximate Weights</b>					
			<b>Fan</b>	1760	
			<b>Silencers</b>	340	
			<b>Total</b>	2100	

