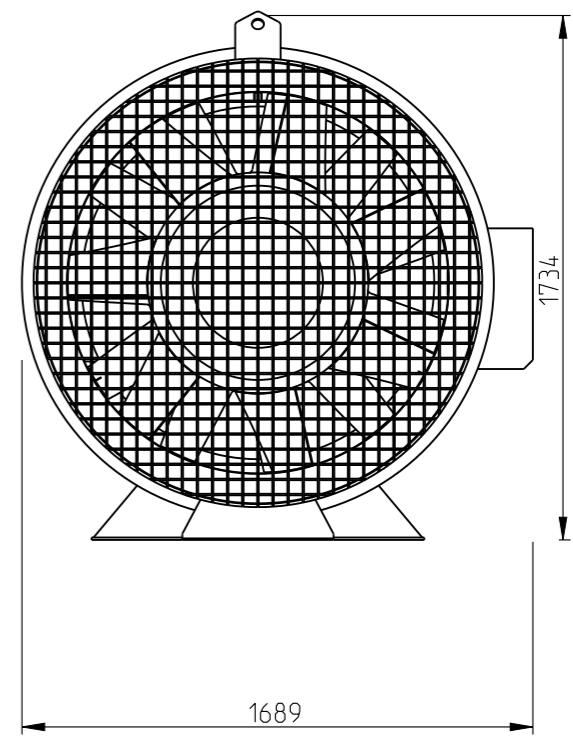
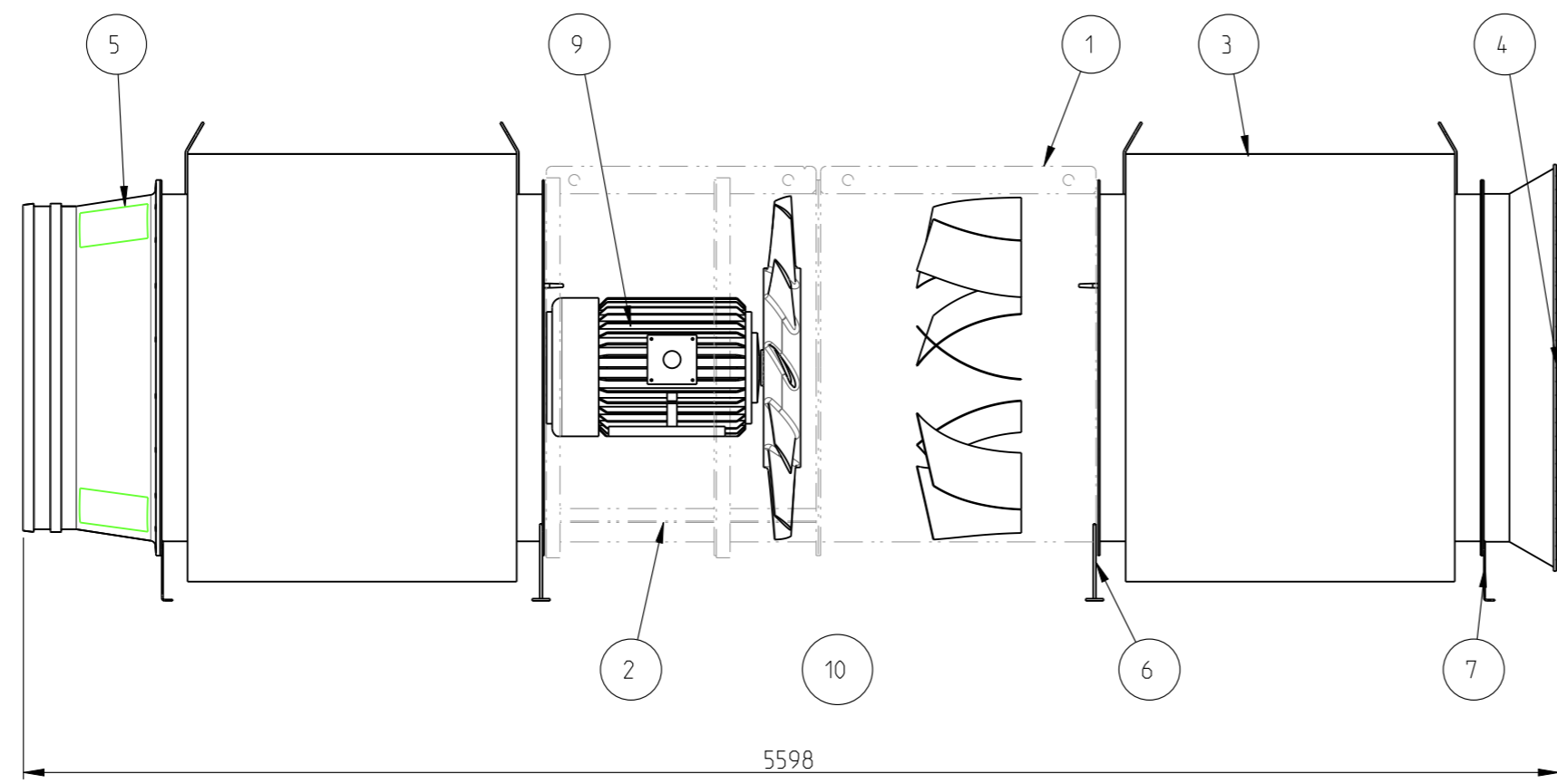


PARTS LIST				
ITEM	PART NO	QTY	DESCRIPTION	CHECKED
1	1254-002	1	CC1254 GUIDE VANE- GV2 WELDED ASSY	
2	1254-015	1	CC1254 MK3 AXIAL FAN CASING- 55kW OUTLET	
3	1254-020	2	CC1254 AXIAL FAN SILENCER	
4	1254-026	1	CC1254 INLET CONE	
5	1254-035	1	CC1254 PLASTIC VENT TUBE ADAPTER TO 1220mm DUCT	
6	1254-044	2	MOUNTING FOOT- CC1254 FAN- STD	
7	1254-052	2	TRANSPORT FOOT- CC1254 SILENCER (STD & MIM SPEC)	
8	1254-062	1	CC1254-MK3- 75KW OUTLET IMPELLER MACHINING	
9	MOTOR-TERM-BOX-TECO-D250	1	TERMINAL BOX- SUIT TECO D250 FRAME	
10	TECO-FOOT-75KW-4P-250M	1	TECO 75kW 4POLE 250M FRAME 415 VOLT MOTOR	



MASS: 1760.6 kg	SURFACE AREA: 157.65 m ²	VOLUME: 0.320 m ³	PROJECTION: 	COPYRIGHT This drawing including the principles of design is the property of and is submitted by CLEM CORP (WA) Pty Ltd with the agreement that it is not to be reproduced, copied or loaned in part or whole if it is not to be used in any manner that may constitute a detriment directly or indirectly to CLEM CORP (WA) Pty Ltd. Acceptance of this drawing will be construed as an agreement to the above.	 CLEM CORP (WA) Pty Ltd trading as Clemcorp Australia ABN: 54 115 959 683 PO Box 4249 Alexander Heights 6064 Western Australia Ph: (08) 9406 3000 Fax: (08) 9406 3001 www.clemcorp.com.au
ALL DIMENSIONS IN MM U.N.O. DRAFTING STANDARD AS1100 DO NOT SCALE			TOLERANCE: U.N.O. X* ± 0.5° X ± 1 X.X ± 0.2 X.XX ± 0.02 >1000 mm ± 2		
13-06-13	DATE		DESCRIPTION	REV	BY
Drawn . Checked . Approved .			13-06-13 Scale NTS	Drawing Number 1254-518	Rev. 0 SHEET 1 OF 1

